



INTERPUMP GROUP

66

S E R I E S

I
GB
F

ISTRUZIONI D'USO
INSTRUCTIONS FOR USE
MODE D'EMPLOI

D
E
P

BEDIENUNGSANLEITUNG
INSTRUCCIONES DE USO
INSTRUÇÕES DE USO



Questo manuale deve essere letto e compreso in accordo al libretto generico "Istruzioni d'uso e manutenzione".

This manual must be read and followed in accordance with the generic "Instructions for Use and Maintenance" booklet.

Ce manuel doit être lu et compris en accord avec la notice générale " Mode d'emploi et d'entretien ".


Dieses Handbuch ist in Verbindung mit dem allgemeinen Handbuch " Gebrauchs- und Wartungsanleitung " zu lesen und zu verstehen.

Este manual debe leerse y comprenderse de acuerdo con el manual general "Instrucciones de uso y mantenimiento"

Este manual deve ser lido e interpretado de acordo com o livro genérico "Instruções de uso e manutenção"



Type Type Type Tipo	Flow rate Débit Förderstrom Caudal Portata		Pressure Pressione Druck Presion Pressione			rpm t/m up/m r/m g/m	Power Puissance Leistung Potencia Potenza		Weight Poids Gewicht Peso Massa		Lt.
	l/min	gpm	bar	MPa	psi		Hp	kW	Kg	Ibs	
W4015 (*)	15	3.96	400	40	5800	1450	15	11.02	19.5	42,9	1.0
W5015 (*)	15	3.96	500	50	7250	1450	20	14.70	19.5	42.9	1.0
W3018	17.6	4.64	300	30	4350	1450	14	10.43	18.5	40.7	1.0
W4018	18	4.75	400	40	5800	1450	20	14.70	19.5	42,9	1.0
W4518	18	4.75	450	45	6525	1450	21	15.44	19.5	42,9	1.0
W5018	18	4.75	500	50	7250	1450	24	17.40	19.5	42.9	1.0
W3021 (*)	21	5.54	300	30	4350	1450	16	11.76	18.5	40.7	1.0
W3521 (*)	21	5.55	350	35	5075	1450	20	14.70	19.5	42.9	1.0
W4021 (*)	21	5.55	400	40	5800	1450	22	16.17	19.5	42.9	1.0
WK5021	21	5.55	500	50	7250	1450	28	20.59	21.5	46.2	1.0
W3523	23	6.07	350	35	5075	1450	20	14.70	19.5	42.9	1.0
W2525 (*)	25	6.60	250	25	3600	1450	18	13.23	18.5	40.7	1.0
W3025 (*)	25	6.60	300	30	4350	1450	20	14.70	18.5	40.7	1.0
W2030 (*)	30	7.92	200	20	2900	1450	15	11.02	18.5	40.7	1.0
W2035	35	9.25	200	20	2900	1450	18	13.23	18.5	40.7	1.0
W2141	41	10.83	210	21	3045	1450	22	16.17	18.5	40.7	1.0
W1550 (*)	50	13.20	150	15	2175	1450	20	14.70	18.5	40.7	1.0
W1555	55	14.50	150	15	2175	1450	22	16.17	18.5	40.7	1.0

Type Type Type Tipo	Flow rate Débit Förderstrom Caudal Portata		Pressure Pressione Druck Presion Pressione			rpm t/m upm r/m g/m	Power Puissance Leistung Potencia Potenza		Weight Poids Gewicht Peso Massa		
	l/min	gpm	bar	MPa	psi		Hp	kW	Kg	Ibs	
T5015	15	3.96	500	50	7250	1750	19.5	14.54	19.5	42.9	1.0
T4018 (*)	18	4.75	400	40	5800	1750	20	14.70	19.5	42,9	1.0
T5018 (*)	18	4.75	500	50	7250	1750	24	17.64	19.5	42.9	1.0
T3021	21	5.55	300	30	4350	1750	16.5	12.30	18.5	40.7	1.0
T3025 (*)	25	6.60	300	30	4350	1750	20	14.70	18.5	40,7	1.0
T2530 (*)	30	7.92	250	25	3600	1750	20	14.70	18.5	40,7	1.0
T2830 (*)	30	7.92	275	27.5	4000	1750	21	15.44	18.5	40,7	1.0
T2535	35	9.25	250	25	3600	1750	22	16.17	18.5	40,7	1.0
T2040	40	10.56	200	20	2900	1750	21	15.44	18.5	40,7	1.0
T1750	50	13.20	172	17.2	2500	1750	22	16.17	18.5	40,7	1.0

(*) - DISPONIBILE ANCHE CON DOPPIA PRESA DI FORZA

(*) - DISPONIBLE MÊME AVEC DOUBLE PRISE DE FORCE

(*) - DISPONIBLE TAMBIÉN CON EL DOBLE TOMADO DE FUERZA

(*) - AVAILABLE ALSO WITH DOUBLE POWER TAKE OFF

(*) - VORHANDEN AUCH MIT DEM DOPPELTEN GENOMMEN VON DER KRAFT

(*) - DISPONÍVEL TAMBÉM COM O DOBRO FEITO EXAME DA FORÇA

W3021 - W2525 - W3025 - W2030 W2035 - W2141 - T3025 - T2530 T2830 - T2535 - T2040 - T1750 W3018 - T3021
--

KIT RICAMBI - SPARE KITS

KIT Nr.	KIT 2	KIT 3	KIT 169	PISTONE - PISTON D. 18			PISTONE - PISTON D. 20			PISTONE - PISTON D. 22			PISTONE - PISTON D. 24		
				KIT 180	KIT 176	KIT 172	KIT 170	KIT 171	KIT 172	KIT 173	KIT 181	KIT 182	KIT 181	KIT 182	
Posizioni Include Positions Included	50	38	3-4 5-6 7 (10)	43-45	41-42 43-44 45	43-45	43-45	41-42 43-44 45	43-45	43-45	43-44 45	43-45	41-42 43-44 45		
Nr. Pcs.	3	2	6	3	1	3	1	3	1	3	1	3	1		

PISTONE - PISTON D. 18		PISTONE - PISTON D. 20	
W3021 - T3025 - W3018 - T3021	W2525 - W3025 - T2530 - T2535 - T2830		
PISTONE - PISTON D. 22	PISTONE - PISTON D. 24		
W2030 - W2035 - T2040	W2141 - T1750		

POS	COD.	DESCRIZIONE - DESCRIPTION - KIT	NR
20	66.0200.35	Albero ecc. C.19 - W2525 W2030 W3021 W3025 T2530 T3025 T2830	1
	66.0204.35	Albero ecc. C.21 - W2035 W2141 T2535 T2040 T1750	
	66.0211.35	Albero ecc. C.16 - W3018 T3021	
21	91.4892.00	Linguetta 9.0x7.0x35.0	1
22	66.0300.01	Biella completa	3
23	90.3922.00	OK D. 1.33.02x2.62 NBR 70SH 3525	1
24	66.1600.22	Coperchio posteriore	1
25	99.1884.00	Vite M6x20 UNI 5931	4
26	90.4051.00	OR D. 26.58x3.53 NBR 70SH 4106	1
27	63.2100.51	Spia livello olio	1
28	98.2042.50	Tappo G 1/4"x9 TE17 - ZInc.	1
29	90.3585.00	OR D. 10.82x1.78 NBR 70SH 2043	4
30	99.3099.00	Vite serraggio biella	6
31	97.7405.00	Spinotto D. 14x39	3
32	66.0500.66	Guida pistone	3
33	96.7101.00	Rosetta D. 10.0x28.0x0.5	3
34	66.0403.09	Pistone D. 18x54	
	66.0400.09	Pistone D. 20x54	3
	66.0401.09	Pistone D. 22x54	
	66.0404.09	Pistone D. 24x54	
35	90.3584.00	OR D. 10.82x1.78 NBR 90SH 2043	3
36	66.2195.66	Vite fissaggio pistone	3
37	47.1510.22	Coperchio laterale lato PTO	1
38	90.1648.00	Anello rad. D. 30.0x55.0x7.0	3
39	90.3833.00	OK D. 13.95x2.62 NBR 70SH 3056	1
40	98.2100.50	Tappo G 3/8"x13 TE22 - Zinc.	1

POS	COD.	DESCRIZIONE - DESCRIPTION - KIT	NR
41	66.0803.70	Anello di fondo D. 18	176
	66.0800.70	Anello di fondo D. 20	171
	66.0801.70	Anello di fondo D. 22	173
	66.0804.70	Anello di fondo D. 24	182
42	90.3616.00	OR D. 34.65x1.78 NBR 70SH 2137 171.173.176.182	3
	90.2652.00	Anello tenuta D. 18x26x6.5 LP 180 176	
	90.2690.00	Anello tenuta D. 20x28x6.5 LP 170 171	3
43	90.2715.00	Anello tenuta D. 22x30x6.5 LP 172 173	
	90.2738.00	Anello tenuta D. 24x32x6.5 LP 181 182	
	66.2163.70	Anello intermedio D. 18	176
	66.2160.70	Anello intermedio D. 20	171
44	66.2161.70	Anello intermedio D. 22	173
	66.2164.70	Anello intermedio D. 24	182
	90.2655.00	Anello tenuta D. 18x28x10 HP 180 176	
	90.2692.00	Anello tenuta D. 20x30x10 HP 170 171	3
45	90.2717.00	Anello tenuta D. 22x32x10 HP 172 173	
	90.2741.00	Anello tenuta D. 24x34x10 HP 181 182	
46	47.2000.74	Piede pompa	2
47	96.7106.00	Rosetta D. 10.2x16.0x2.5	4
48	99.3644.00	Vite M10x18 UNI 5931	4
49	90.9126.00	Boccola D. 22x25x30	3
50	90.1625.00	Anello rad. D. 22.0x32.0x1.5	2
51	96.7380.00	Rosetta D. 17.5x23.0x1.5	1
52	96.7700.00	Rosetta D. 26.5x32.0x1.5	1
53	98.2268.00	Tappo G 3/4"x16	1
54	98.2043.00	Tappo G 1/4"x13	3
55	98.2100.00	Tappo G 3/8"x13	1

POS	COD.	DESCRIZIONE - DESCRIPTION - KIT	NR
1	66.1245.41	Testata pompa D. 18	
	66.1200.41	Testata pompa D. 20	1
	66.1201.41	Testata pompa D. 22	
	66.1202.41	Testata pompa D. 24	
2	99.3801.00	Vite M10x90 UNI 5931	8
3	90.3857.00	OR D. 23.81x2.62 NBR 70SH 132 169	12
4	36.2033.66	Sede valvola sferica	169
5	36.2034.76	Valvola sferica	169
6	94.7388.00	Molla Dm. 10.0x18.5	169
7	36.2035.51	Guida valvola	169
8	90.5165.00	Anello antest. D. 24.7x29.0x1.5	6
9	66.1300.41	Tappo M32x1.5x29.5	6
10	36.7127.01	Gr. valvola aspiraz./mandata	169
11	99.3039.00	Vite M8x16 UNI 5931	8
12	47.1512.22	Coperchio laterale lato spia	1
13	90.3913.00	OR D. 67.95x2.62 NBR 70SH 3268	2
14	90.3877.00	OR D. 39.34x2.62 NBR 70SH 3156	1
15	70.2118.01	Spia livello olio	1
16	90.0756.00	Anello d'arresto ZJ45	1
17	91.8380.00	Cuscinetto a rulli	2
18	66.0100.22	Carter pompa	1
19	98.2106.00	Tappo con asta G 3/8"x64	1

KIT RICAMBI - SPARE KITS

KIT Nr.	KIT 2	KIT 3	KIT 169	KIT 248	KIT 247
Posizioni Include Positions Included	50	38	3 - 4 5 - 6 7 (10)	43 - 45	41 - 42 43 - 44 45
Nr. Pcs.	3	2	6	3	1

POS	COD.	DESCRIZIONE - DESCRIPTION - KIT	NR
28	98.2042.50	Tappo G 1/4"x9 TE17 - Zinc.	1
29	90.3585.00	OR D. 10.82x1.78 NBR 70SH 2043	4
30	99.3099.00	Vite serraggio biella	6
31	97.7405.00	Spinotto D. 14x39	3
32	66.0500.66	Guida pistone	3
33	96.7101.00	Rosetta D. 10.0x28.0x0.5	3
34	66.0410.09	Pistone D. 28x54	3
35	90.3584.00	OR D. 10.82x1.78 NBR 90SH 2043	3
36	66.2195.66	Vite fissaggio pistone	3
37	47.1510.22	Coperchio laterale lato PTO	1
38	90.1648.00	Anello rad. D. 30.0x55.0x7.0	3
39	90.3833.00	OR D. 13.95x2.62 NBR 70SH 3056	1
40	98.2100.50	Tappo G 3/8"x13 TE22 Zinc.	1
41	66.0825.70	Anello di fondo D. 28	247
42	90.3620.00	OR D. 37.82x1.78 NBR 70SH 2150	247
43	90.2753.00	Anello tenuta D. 28x36x6.5 LP	247 248
44	66.2200.70	Anello intermedio D. 28	247
45	90.2754.00	Anello tenuta D. 28x38x10 HP	247 248
46	47.2000.74	Piede pompa	2
47	96.7106.00	Rosetta D. 10.2x16.02.5	4
48	99.3644.00	Vite M10x18 UNI 5931	4
49	90.9126.00	Boccola D. 22x25x30	3
50	90.1625.00	Anello rad. D. 22.0x32.0x5.5	2
51	96.7380.00	Rosetta D. 17.5x23.0x1.5	1
52	96.7700.00	Rosetta D. 26.5x32.0x1.5	1
53	98.2268.00	Tappo G 3/4"x16	1
54	98.2043.00	Tappo G 1/4"x13	3
55	98.2100.00	Tappo G 3/8"x13	1

W1550					
1	66.1246.41	Testata pompa D. 28	1		
2	99.3801.00	Vite M10x90 UNI 5931	8		
3	90.3857.00	OR D. 23.81x2.62 NBR 70SH 132	169		
4	36.2033.66	Sede valvola	169		
5	36.2034.76	Valvola sferica	169		
6	94.7388.00	Molla Dm. 10.0x18.5	169		
7	36.2035.51	Guida valvola	169		
8	90.5165.00	Anello antist. D. 24.7x29.0x1.5	6		
9	66.1300.41	Tappo M32x1.5x29.5	6		
10	36.7127.01	Gr. valvola aspiraz./mandata	169		
11	99.3039.00	Vite M8x16 UNI 5931	8		
12	47.1512.22	Coperchio laterale lato spia	1		
13	90.3913.00	OR D. 67.95x2.62 NBR 70SH 3268	2		
14	90.3877.00	OR D. 39.34x2.62 NBR 70SH 3156	1		
15	70.2118.01	Spia livello olio	1		
16	90.0756.00	Anello d'arresto Z145	1		
17	91.8380.00	Cuscinetto a rulli	2		
18	66.0100.22	Carte pompa	1		
19	98.2106.00	Tappo con asta G 3/8"x64	1		
20	66.0200.35	Albero ecc. C.19	1		
21	91.4892.00	Linguetta 9.0x7.0x35.0	1		
22	66.0300.01	Biella completa	3		
23	90.3922.00	OR D. 133.02x2.62 NBR 70SH 3525	1		
24	66.1600.22	Coperchio posteriore	1		
25	99.1884.00	Vite M6x20 UNI 5931	4		
26	90.4051.00	OR D. 26.58x3.53 NBR 70SH 4106	1		
27	63.2100.51	Spia livello olio	1		

KIT RICAMBI - SPARE KITS

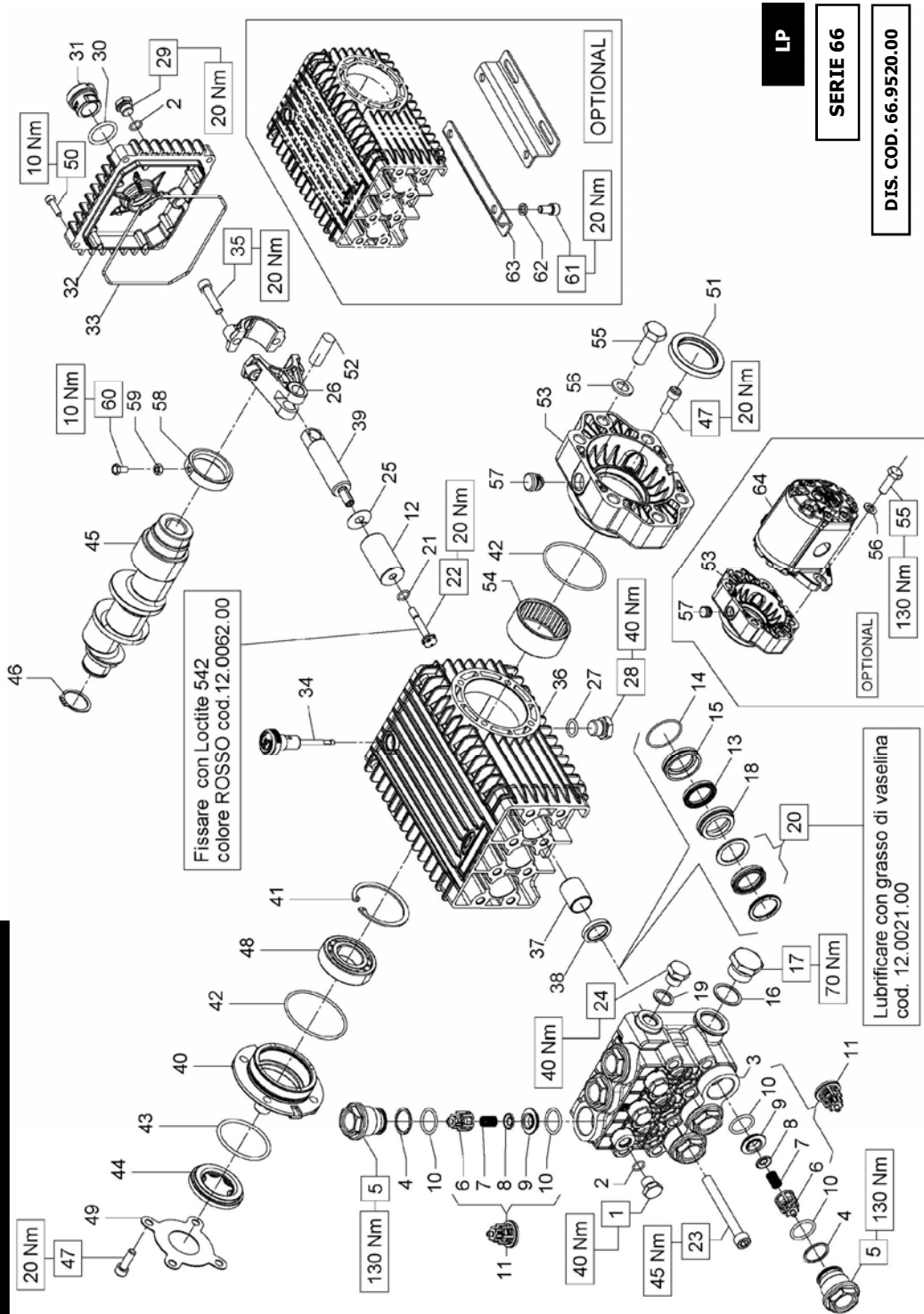
KIT Nr.	KIT 2	KIT 3	KIT 169	KIT 248	KIT 247
Posizioni Include Positions Included	38	48	6 - 7 8 - 9 10 (11)	13 - 20	13 - 14 15 - 18 20
Nr. Pcs.	3	2	6	3	1

W1550

POS	COD.	DESCRIZIONE - DESCRIPTION - KIT	NR
1	98.2043.00	Tappo G 1/4"x13	3
2	90.3585.00	OR D. 10.82x1.78 NBR 70SH 2043	4
3	66.1246.41	Testata pompa D. 28	1
4	90.5165.00	Anello antiest. D. 24,7x29,0x1.5	6
5	66.1300.41	Tappo M32x1,5x29,5	6
6	36.2035.51	Guida valvola	169
7	94.7388.00	Molla Dm. 10.0x18.5	169
8	36.2034.76	Valvola sferica	169
9	36.2033.66	Sede valvola	169
10	90.3857.00	OR D. 23.81x2.62 NBR 70SH 132	169
11	36.7127.01	Gr. valvola aspiraz./mandata	169
12	66.0410.09	Pistone D. 28x54	3
13	90.2753.00	Anello tenuta D. 28x36x6.5 LP 247 248	3
14	90.3620.00	OR D. 37.82x1.78 NBR 70SH 2150	247
15	66.0825.70	Anello di fondo D. 28	247
16	96.7700.00	Rosetta D. 26.5x32.0x1.5	1
17	98.2268.00	Tappo G 3/4"x16	1
18	66.2200.70	Anello intermedio D. 28	247
19	96.7380.00	Rosetta D. 17.5x23.0x1.5	1
20	90.2754.00	Anello tenuta D. 28x38x10 HP 247 248	3
21	90.3584.00	OR D. 10.82x1.78 NBR 90SH 2043	3
22	66.2195.66	Vite fissaggio pistone	3
23	99.3801.00	Vite M10x90 UNI 5931	8
24	98.2100.00	Tappo G 3/8"x13	1
25	96.7101.00	Rosetta D. 10.0x28.0x0.5	3
26	66.0300.01	Biella completa	3
27	90.3833.00	OR D. 13.95x2.62 NBR 70SH 3056	1

POS	COD.	DESCRIZIONE - DESCRIPTION - KIT	NR
28	98.2100.50	Tappo G 3/8"x13 TE22 Zinc.	1
29	98.2042.50	Tappo G 1/4"x9 TE17 - Zinc.	1
30	90.4051.00	OR D. 26.58x3.53 NBR 70SH 4106	1
31	63.2100.51	Spia livello olio	1
32	66.1600.22	Coperchio posteriore	1
33	90.3922.00	OR D. 133.02x2.62 NBR 70SH 3525	1
34	98.2106.00	Tappo con asta G 3/8"x64	1
35	99.3099.00	Vite serraggio biella	6
36	66.0100.22	Carter pompa	1
37	90.9126.00	Boccola D. 22x25x30	3
38	90.1625.00	Anello rad. D. 22.0x32.0x5.5	2 3
39	66.0500.66	Guida pistone	3
40	99.3039.00	Vite M8x16 UNI 5931	4
41	90.0756.00	Anello d'arresto ZM5	1
42	70.2118.01	Spia livello olio	1
43	90.3877.00	OR D. 39.34x2.62 NBR 70SH 3156	1
44	91.8380.00	Cuscinetto a rulli	2
45	47.1512.22	Coperchio laterale lato spia	1
46	90.3913.00	OR D. 67.95x2.62 NBR 70SH 3268	2
47	99.1884.00	Vite M6x20 UNI 5931	4
48	90.1648.00	Anello rad. D. 30.0x55.0x7.0	3 1
49	66.0212.35	Albero ecc. C.19	1
50	91.4685.00	Linguetta 4,0/4,8x18,0	1
51	47.1510.22	Coperchio laterale lato PTO	1
52	97.7405.00	Spinotto D. 14x39	3
53	99.3069.00	Vite M8x25 UNI 5931	4
54	10.0862.22	Flangia SAE A-2 fori	1
55	96.7103.00	Rosetta D. 10.5x18.0x2.0	2

VERSION Y (for hydraulic motors SAE B)



**W1555 - W2525 - T2535 - T2040
T1750 - T2830**

KIT RICAMBI - SPARE KITS

KIT Nr.	KIT 2	KIT 169	PISTONE - PISTON D. 20		PISTONE - PISTON D. 22		PISTONE - PISTON D. 24		KIT 248	KIT 247
			KIT 170	KIT 171	KIT 172	KIT 173	KIT 181	KIT 182		
Posizioni include Positions Included	38	6 - 7 8 - 9 10 (11)	13 - 14 15 - 18 20	13 - 14 15 - 18 20	13 - 14 15 - 18 20	13 - 14 15 - 18 20	13 - 14 15 - 18 20	13 - 14 15 - 18 20		
Nr. Pcs.	3	6	3	1	3	1	3	1	3	1

PISTONE - PISTON D. 20		PISTONE - PISTON D. 22	
W2525 - T2535 - T2830	T2040		
PISTONE - PISTON D. 24		PISTONE - PISTON D. 28	
T1750		W1555	

POS	COD.	DESCRIZIONE - DESCRIPTION - KIT	NR
16	96.7700.00	Rosetta D. 26.5x32.0x1.5	1
17	98.2268.00	Tappo G 3/4"x16	1
18	66.2160.70 66.2161.70 66.2164.70 66.2200.70	Anello intermedio D. 20 Anello intermedio D. 22 Anello intermedio D. 24 Anello intermedio D. 28	171 173 182 247
19	96.7380.00	Rosetta D. 17.5x23.0x1.5	1
20	90.2690.00 90.2715.00 90.2738.00 90.2753.00	Anello tenuta D. 20x28x6.5 LP Anello tenuta D. 22x30x6.5 LP Anello tenuta D. 24x32x6.5 LP Anello tenuta D. 28x36x6.5 LP	170 171 172 173 181 182 247 248
21	90.3584.00	OR D. 10.82x1.78 NBR 90SH 2043	3
22	66.2195.66	Vite fissaggio pistone	3
23	99.3801.00	Vite M10x90 UNI 5931	8
24	98.2100.00	Tappo G 3/8"x13	1
25	96.7101.00	Rosetta D. 10.0x28.0x0.5	3
26	66.0300.01	Biella completa	3
27	90.3833.00	OR D. 13.95x2.62 NBR 70SH 3056	1
28	98.2100.50	Tappo G 3/8"x13 TE22 - Zinc.	1
29	98.2042.50	Tappo G 1/4"x9 TE17 - Zinc.	1
30	90.4051.00	OR D. 26.58x3.53 NBR 70SH 4106	1
31	63.2100.51	Spia livello olio	1
32	66.1600.22	Coperchio posteriore	1
33	90.3922.00	OR D. 133.02x2.62 NBR 70SH 3525	1
34	98.2106.00	Tappo con asta G 3/8"x64	1
35	99.3099.00	Vite serraggio biella	6
36	66.0100.22	Carter pompa	1
37	90.9126.00	Boccola D. 22x25x30	3
38	90.1625.00	Anello rad. D. 22.0x32.0x5.5	2
39	66.0500.66	Guida pistone	3

POS	COD.	DESCRIZIONE - DESCRIPTION - KIT	NR
40	59.1500.22	Coperchio laterale lato spia	1
41	90.0850.00	Anello d'arresto D. 62	1
42	90.3913.00	OR D. 67.95x2.62 NBR 70SH 3268	2
43	90.4097.00	OR D. 55.56x3.53 NBR 70SH 159	1
44	44.2118.01	Distanziale con indicatore	1
45	66.0214.65 66.0213.65	Albero ecc. C.19 - W2525 T2830 Albero ecc. C.21 - T2535 T2040 T1750 W1555	1
46	90.0667.00	Anello d'arresto D. 30	1
47	99.3069.00	Vite M8x25 UNI 5931	8
48	91.8376.00	Cuscinetto a rulli	1
49	66.1502.74	Coperchio laterale	1
50	99.1884.00	Vite M6x20 UNI 5931	4
51	90.1690.00	Anello rad. D. 45.0x62.0x8.0	1
52	97.7405.00	Spinotto D. 14x39	3
53	10.0872.22	Flangia per motore idraulico SAE-B	4
54	91.8587.00	Boccola a rullini	1
55	99.4848.00	Vite M14x40 UNI 5739	2
56	96.7282.00	Rosetta D. 15.0x24.0x2.5	2
57	90.2065.00	Tappo per foro D. 17 - TTN19	1
58	71.2289.71	Anello D. 40 per albero H.Pack	1
59	90.2825.00	Dado M6x5	1
60	78.2270.34	Vite M6x12 completa	1
61	99.3644.00	Vite M10x18 UNI 5931	4
62	96.7106.00	Rondella D. 10.2x16.0x2.5	4
63	47.2000.74	Piede pompa	2
64	95.1080.00	Motore ingranaggi 037/R	1

POS	COD.	DESCRIZIONE - DESCRIPTION - KIT	NR
1	98.2043.00	Tappo G 1/4"x13	3
2	90.3585.00	OR D. 10.82x1.78 NBR 70SH 2043	4
3	66.1200.41 66.1201.41 66.1202.41 66.1246.41	Testata pompa D. 20 Testata pompa D. 22 Testata pompa D. 24 Testata pompa D. 28	1
4	90.5165.00	Anello antist. D. 24.7x29.0x1.5	6
5	66.1300.41	Tappo M32x1.5x29.5	6
6	36.2035.51	Guida valvola	169 6
7	94.7388.00	Molla Dm. 10.0x18.5	169 6
8	36.2034.76	Valvola sferica	169 6
9	36.2033.66	Sede valvola sferica	169 6
10	90.3857.00	OR D. 23.81x2.62 NBR 70SH 132	12
11	36.7127.01	Gr. valvola aspiraz./mandata	169 6
12	66.0400.09 66.0401.09 66.0404.09 66.0410.09	Pistone D. 20x54 Pistone D. 22x54 Pistone D. 24x54 Pistone D. 28x54	3
13	90.2692.00 90.2717.00 90.2741.00 90.2754.00	Anello tenuta D. 20x30x10 HP 170 171 Anello tenuta D. 22x32x10 HP 172 173 Anello tenuta D. 24x34x10 HP 181 182 Anello tenuta D. 28x38x10 HP 247 248	3
14	90.3616.00	OR D. 34.65x1.78 NBR 70SH 2137 171 173 176 247	3
15	66.0800.70 66.0801.70 66.0804.70 66.0825.70	Anello di fondo D. 20 Anello di fondo D. 22 Anello di fondo D. 24 Anello di fondo D. 28	171 173 182 247

**W5015 - W4518 - W4015 - W4018 - W3521 - W3523
W4021 - T4018 - W5018 - T5018 - T5015**

PISTONE - PISTON - D. 16		PISTONE - PISTON - D. 18	
OTTONE W5015 - W4518 - W4015 W4018 - T4018 - T5015	W3521 - W3523	W5015 - W4518 - W4015 W4018 - T4018 - T5015	W4021
NICKEL W5018 - T5018			

POS	COD.	DESCRIZIONE - DESCRIPTION - KIT	NR
	66.1210.41	Testata pompa D. 16	
	66.1211.41	Testata pompa D. 18	
1	66.1253.01	Testata pompa D. 18 - NICKEL	1
	66.1240.41	Testata pompa D. 16 - W5015 W4518	
	66.1247.41	Testata pompa D. 16 - NICKEL	
2	99.3820.00	Vite M10x120 UNI 5931	8
3	90.5118.00	Anello antist. D. 19,5x22,0x1.5	3
4	90.3596.00	OR D. 18,77x1,78 NBR 70SH 2075	3
5	66.2102.70	Distanziale	3
6	36.7121.01	Gr. valvola aspiraz./mandata 150	6
7	90.3841.00	OR D. 17,13x2,62 NBR 70SH 3068 150	6
8	36.2003.66	Sede valvola 150	6
9	36.2032.66	Valvola sferica 150	6
10	94.7376.00	Molla Dm. 9,4x14,8	150
11	36.2025.51	Guida valvola 150	6
12	90.5115.00	Anello antist. D. 18,7x23,0x1.5	3
13	90.3843.00	OR D. 17,86x2,62 NBR 70SH 123	3
14	66.2101.66	Bussola	3
15	90.3857.00	OR D. 23,81x2,62 NBR 70SH 132	6
16	66.2100.70	Tappo D. 29	3
17	90.5165.00	Anello antist. D. 24,7x29,0x1.5	3
18	66.1301.41	Tappo valvole M32x1,5x18,5	3
	66.1310.41	Tappo valvole M32x1,5x18,5 - NICKEL	3
19	99.3039.00	Vite M8x16 UNI 5931	8
20	47.1512.22	Coperchio laterale lato spia	1
21	90.3913.00	OR D. 67,95x2,62 NBR 70SH 3268	2

KIT RICAMBI - SPARE KITS

KIT 2		KIT 3		KIT 150		PISTONE - PISTOND. 16		PISTONE - PISTON D. 18	
KIT Nr.	Posizioni Incluse Positions Included	KIT 2	KIT 3	KIT 150	KIT 174	KIT 175	KIT 180	KIT 176	KIT 176
58			46	7 - 8 9 - 10 11 (6)	51-53	49 - 50 51 - 52 53	51-53	49 - 50 51 - 52 53	
Nr. Pcs.		3	2	6	3	1	3	1	1

POS	COD.	DESCRIZIONE - DESCRIPTION - KIT	NR
22	90.3877.00	OR D. 39,34x2,62 NBR 70SH 3156	1
23	70.2118.01	Spia livello olio	1
24	90.0756.00	Anello d'arresto ZM45	1
25	91.8380.00	Cuscinetto a rulli	1
26	66.0100.22	Carter pompa	1
27	98.2106.00	Tappo con asta G 3/8"x64	1
	66.0200.35	Albero ecc. C.19 - W5015 W4015 W3521 T4018 T5018 W4021	1
28	66.0204.35	Albero ecc. C.21 - W4518 W4018 W3523 W5018	1
	66.0211.35	Albero ecc. C.16 - T5015	
29	91.4892.00	Linguetta 9,0x7,0x35,0	1
30	66.0300.01	Biella completa	3
31	90.3922.00	OR D.133,02x2,62 NBR 70SH 3525	1
32	66.1600.22	Coperchio posteriore	1
33	99.1884.00	Vite M6x20 UNI 5931	4
34	90.4051.00	OR D. 26,58x3,53 NBR 70SH 4106	1
35	63.2100.51	Spia livello olio	1
36	98.2042.50	Tappo G 1/4"x9 TE17 - Zinc.	1
37	90.3585.00	OR D. 10,82x1,78 NBR 70SH 2043	1
38	99.3099.00	Vite serraggio biella	6
39	97.7405.00	Spinotto D. 1,4x39	3
40	66.0500.66	Guida pistone	3
41	96.7101.00	Rosetta D. 10,0x28,0x0,5	3
42	66.0402.09	Pistone D. 16x54	3
	66.0403.09	Pistone D. 18x54	
44	66.2195.66	Vite fissaggio pistone	3
45	47.1510.22	Coperchio laterale lato PTO	1
46	90.1648.00	Anello rad. D. 30,0x56,0x7,0	3

POS	COD.	DESCRIZIONE - DESCRIPTION - KIT	NR
47	90.3833.00	OR D. 13,95x2,62 NBR 70SH 3056	1
48	98.2100.50	Tappo G 3/8"x13 TE22 - Zinc.	1
49	66.0802.70	Anello di fondo D. 16	175
	66.0803.70	Anello di fondo D. 18	176
50	90.3616.00	OR D. 34,65x1,78 NBR 70SH 2137 175 176	3
51	90.2631.00	Anello tenuta D. 16x24x6,5 LP 174 175	3
	90.2652.00	Anello tenuta D. 18x26x6,5 LP 180 176	
52	66.2162.70	Anello intermedio D. 16	175
	66.2163.70	Anello intermedio D. 18	176
53	90.2634.00	Anello tenuta D. 16x26x9,5 HP 174 175	3
	90.2655.00	Anello tenuta D. 18x28x10 HP 180 176	
54	47.2000.74	Piede pompa	2
55	96.7106.00	Rosetta D. 10,2x16,0x2,5	4
56	99.3644.00	Vite M10x18 UNI 5931	4
57	90.9126.00	Boccola D. 22x25x30	3
58	90.1625.00	Anello rad. D. 22,0x32,0x5,5	2
59	93.1858.00	Rondella di tenuta G 3/8"	1
60	96.7514.00	Rosetta D. 21,5x27,0x1,5	1
61	98.2176.00	Tappo G 1/2"x10	1
62	98.2100.00	Tappo G 3/8"x13	1

KIT RICAMBI - SPARE KITS

KIT Nr.	KIT 2	KIT 3	KIT 169	PISTONE - PISTON D. 18		PISTONE - PISTON D. 20		PISTONE - PISTON D. 22		KIT 247
				KIT 180	KIT 176	KIT 171	KIT 172	KIT 173	KIT 248	
Posizioni Include Positions Included	46	12	3 - 4 5 - 6 7 (10)	39 - 41	37 - 38 39 - 40 41	37 - 38 39 - 40 41	39 - 41	37 - 38 39 - 40 41	39 - 41	37 - 38 39 - 40 41
Nr. Pcs.	3	2	6	3	1	3	1	3	1	3

W3021 - W2525 - W3025 - W2030 W1550 - T3025 - T2530 - T2830	PISTONE - PISTON D. 20	
		W2525 - W3025 - T2530 - T2830
	PISTONE - PISTON D. 22	
	W2030	W1550

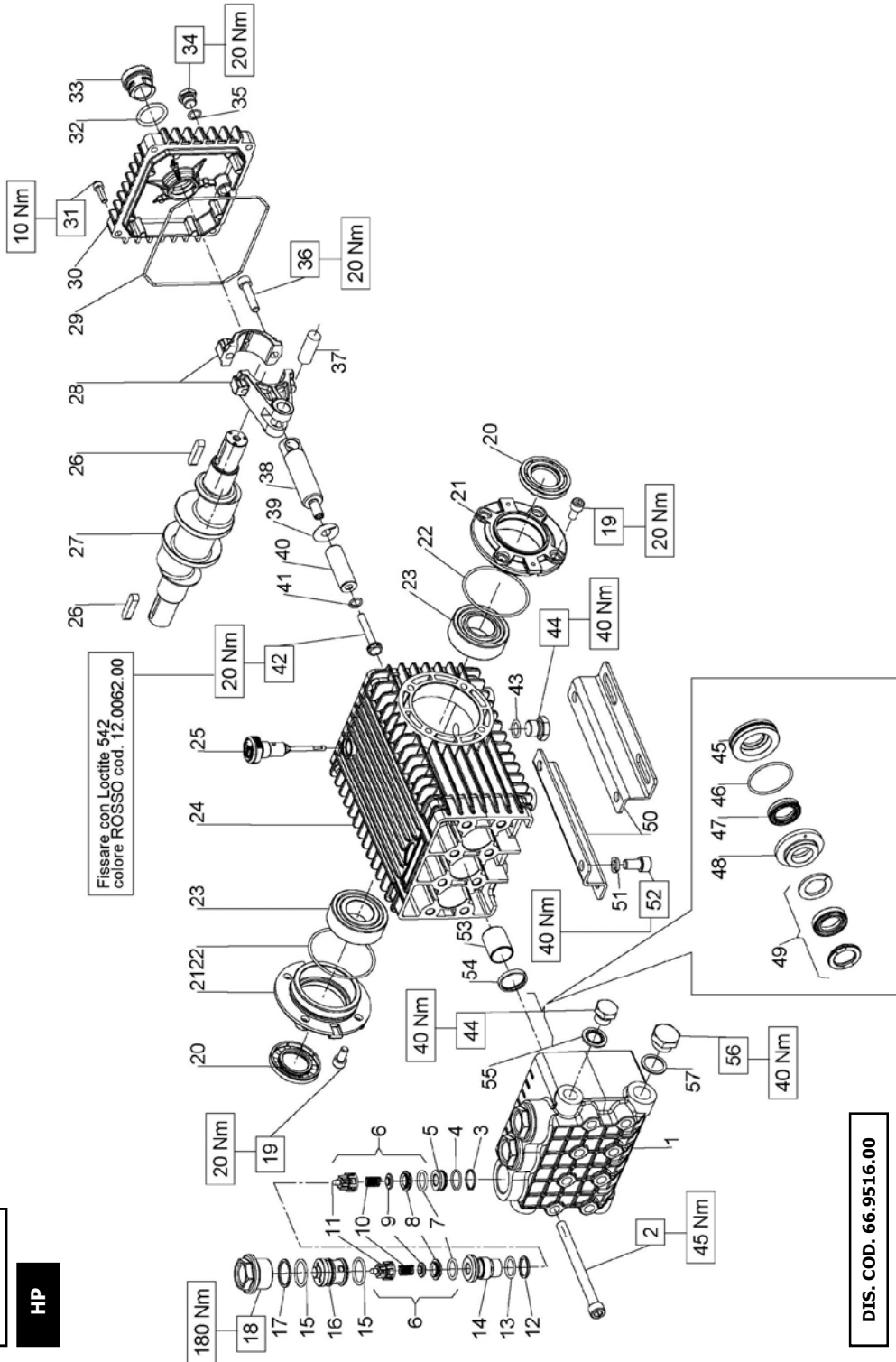
POS	COD.	DESCRIZIONE - DESCRIPTION - KIT	NR
21	90.3922.00	OR D. 133.02x2.62 NBR 70SH 3525	1
22	66.1600.22	Coperchio posteriore	1
23	99.1884.00	Vite M6x20 UNI 5931	4
24	90.4051.00	OR D. 26.58x3.53 NBR 70SH 4106	1
25	63.2100.51	Spia livello olio	1
26	98.2042.50	Tappo G 1/4"x9 TE17 - Zinc.	1
27	90.3585.00	OR D. 10.82x1.78 NBR 70SH 2043	2
28	99.3099.00	Vite serraggio biella	6
29	97.7405.00	Spinotto D. 1.4x39	3
30	66.0500.66	Guida pistone	3
31	96.7101.00	Rosetta D. 10.0x28.0x0.5	3
32	66.0403.09	Pistone D. 18x54	6
33	66.0400.09	Pistone D. 20x54	6
34	66.0401.09	Pistone D. 22x54	6
35	66.0410.09	Pistone D. 28x54	6
36	90.3584.00	OR D. 10.82x1.78 NBR 90SH 2043	3
37	66.2195.66	Vite fissaggio pistone	3
38	90.3833.00	OR D. 13.95x2.62 NBR 70SH 3056	1
39	98.2100.50	Tappo G 3/8"x13 TE22 - Zinc.	1
40	66.0803.70	Anello di fondo D. 18	176
41	66.0800.70	Anello di fondo D. 20	171
42	66.0801.70	Anello di fondo D. 22	173
43	66.0825.70	Anello di fondo D. 28	247
44	90.3616.00	OR D. 34.65x1.78 NBR 70SH 2137	3
45	90.3620.00	OR D. 37.82x1.78 NBR 70SH 2150	3
46	90.2652.00	Anello tenuta D. 18x26x6.5 LP	180 176
47	90.2690.00	Anello tenuta D. 20x28x6.5 LP	170 171
48	90.2715.00	Anello tenuta D. 22x30x6.5 LP	172 173
49	90.2753.00	Anello tenuta D. 28x36x6.5 LP	247 248

POS	COD.	DESCRIZIONE - DESCRIPTION - KIT	NR
1	66.1245.41	Testata pompa D. 18	1
2	66.1200.41	Testata pompa D. 20	1
3	66.1201.41	Testata pompa D. 22	1
4	66.1246.41	Testata pompa D. 28	1
5	99.3801.00	Vite M10x90 UNI 5931	8
6	90.3857.00	OR D. 23.81x2.62 NBR 70SH 132	12
7	36.2033.66	Sede valvola	169
8	36.2034.76	Valvola sferica	169
9	94.7388.00	Molla Dm. 10.0x18.5	169
10	36.2035.51	Guida valvola	169
11	90.5165.00	Anello antest. D. 24.7x19.0x1.5	6
12	66.1300.41	Tappo M32x1.5x29.5	6
13	36.7127.01	Gr. valvola aspiraz./mandata	169
14	99.3039.00	Vite M8x16 UNI 5931	8
15	90.1648.00	Anello rad. D. 30.0x55.0x7.0	3
16	47.1510.22	Coperchio laterale lato PTO	2
17	90.3913.00	OR D. 67.95x2.62 NBR 70SH 3268	2
18	91.8380.00	Cuscinetto a rulli	2
19	66.0100.22	Carter pompa	1
20	98.2106.00	Tappo con asta G 3/8"x64	1
21	91.4892.00	Linguetta 9.0x7.0x35.0	2
22	66.0210.35	Albero ecc. C.19	1
23	66.0300.01	Biella completa	3

POS	COD.	DESCRIZIONE - DESCRIPTION - KIT	NR
1	66.2163.70	Anello intermedio D. 18	176
2	66.2160.70	Anello intermedio D. 20	171
3	66.2161.70	Anello intermedio D. 22	173
4	66.2200.70	Anello intermedio D. 28	247
5	90.2655.00	Anello tenuta D. 18x28x10 HP	180 176
6	90.2692.00	Anello tenuta D. 20x30x10 HP	170 171
7	90.2717.00	Anello tenuta D. 22x32x10 HP	172 173
8	90.2754.00	Anello tenuta D. 28x38x10 HP	247 248
9	47.2000.74	Piede pompa	2
10	96.7106.00	Rosetta D. 10.2x16.0x2.5	4
11	99.3644.00	Vite M10x18 UNI 5931	4
12	90.9126.00	Boccola D. 22x25x30	3
13	90.1625.00	Anello rad. D. 22.0x32.0x5.5	2
14	96.7380.00	Rosetta D. 17.5x23.0x1.5	1
15	98.2268.00	Tappo G 3/4"x16	1
16	96.7700.00	Rosetta D. 26.5x32.0x1.5	1
17	98.2043.00	Tappo G 1/4"x13	3
18	98.2100.00	Tappo G 3/8"x13	1

SERIE 66

HP



DIS. COD. 66.9516.00

**W5015 - W4015 - W3521 - W4021
T4018 - T5018**

PISTONE - PISTON - D. 16		PISTONE - PISTON - D. 18	
OTTONE BRASS	W5015 - W4015 W4018	W3521	
NICKEL	T5018	W4021	

POS	COD.	DESCRIZIONE - DESCRIPTION - KIT	NR
1	66.1210.41	Testata pompa D. 16	1
	66.1211.41	Testata pompa D. 18	
	66.1253.01	Testata pompa D. 18 - NICKEL	
	66.1240.41	Testata pompa D. 16 - W5015/W4518	
	66.1247.41	Testata pompa D. 16 - NICKEL	
2	99.3820.00	Vite M10x120 UNI 5931	8
3	90.5118.00	Anello antistestr. D. 19.5x22.0x1.5	3
4	90.3596.00	OR D. 18.77x1.78 NBR 70SH 2075	3
5	66.2102.70	Distanziale	3
6	36.7121.01	Gr. valvola aspiraz./mandata	150
7	90.3841.00	OR D. 17.13x2.62 NBR 70SH 3068 150	6
8	36.2003.66	Sede valvola	150
9	36.2032.66	Valvola sferica	150
10	94.7376.00	Molla Dm. 9.4x14.8	150
11	36.2025.51	Guida valvola	150
12	90.5115.00	Anello antistestr. D. 18.7x23.0x1.5	3
13	90.3843.00	OR D. 17.86x2.62 NBR 70SH 123	3
14	66.2101.66	Bussola	3
15	90.3857.00	OR D. 23.81x2.62 NBR 70SH 132	6
16	66.2100.70	Tappo D. 29	3
17	90.5165.00	Anello antestestr. D. 24.7x29.0x1.5	3
18	66.1301.41	Tappo valvole M32x1.5x18.5	3
19	99.3039.00	Vite M8x16 UNI 5931	8
20	90.1648.00	Anello rad. D. 30.0x56.0x7.0	3

KIT RICAMBI - SPARE KITS

KIT Nr.	KIT 2	KIT 3	KIT 150
Posizioni include Positions included	54	20	7 - 8 9 - 10 11 (6)
Nr. Pcs.	3	2	6

PISTONE - PISTON D. 16		PISTONE - PISTON D. 18	
KIT 174	KIT 175	KIT 180	KIT 176
47 - 49	45 - 46 47 - 48 49	47 - 49	45 - 46 47 - 48 49
POS	COD.	DESCRIZIONE - DESCRIPTION - KIT	NR
47	90.2631.00 90.2652.00	Anello tenuta D. 16x24x6.5 LP 174-175 Anello tenuta D. 18x26x6.5 LP 180-176	3
48	66.2162.70 66.2163.70	Anello intermedio D. 16 Anello intermedio D. 18	3
49	90.2634.00 90.2655.00	Anello tenuta D. 16x26x9.5 HP 174-175 Anello tenuta D. 18x28x10 HP 180-176	3
50	47.2000.74	Piede pompa	2
51	96.7106.00	Rosetta D. 10.2x16.0x2.5	4
52	99.3644.00	Vite M10x18 UNI 5931	4
53	90.9126.00	Boccola D. 22x25x30	3
54	90.1625.00	Anello rad. D. 22.0x32.0x5.5	2
55	93.1858.00	Rondella di tenuta G 3/8"	1
56	96.7514.00	Rosetta D. 21.5x27.0x1.5	1
57	98.2176.00	Tappo G 1/2"x10	1
58	98.2100.00	Tappo G 3/8"x13	1

POS	COD.	DESCRIZIONE - DESCRIPTION - KIT	NR
21	47.1510.22	Coperchio laterale lato PTO	2
22	90.3913.00	OR D. 67.95x2.62 NBR 70SH 3268	2
23	91.8380.00	Cuscinetto a rulli	2
24	66.0100.22	Carter pompa	1
25	98.2106.00	Tappo con asta G 3/8"x64	1
26	91.4892.00	Linguetta 9.0x7.0x35.0	2
27	66.0210.35	Albero ecc. C. 19	1
28	66.0300.01	Biella completa	3
29	90.3922.00	OR D.133.02x2.62 NBR 70SH 3525	1
30	66.1600.22	Coperchio posteriore	1
31	99.1884.00	Vite M6x20 UNI 5931	4
32	90.4051.00	OR D. 26.58x3.53 NBR 70SH 4106	1
33	63.2100.51	Spia livello olio	1
34	98.2042.50	Tappo G 1/4"x9 TE17 - Zinc.	1
35	90.3585.00	OR D. 10.82x1.78 NBR 70SH 2043	1
36	99.3099.00	Vite serraggio biella	6
37	97.7405.00	Spinotto D. 14x39	3
38	66.0500.66	Guida pistone	3
39	96.7101.00	Rosetta D. 10.0x28.0x0.5	3
40	66.0402.09 66.0403.09	Pistone D. 16x54 Pistone D. 18x54	3
41	90.3584.00	OR D. 10.82x1.78 NBR 90SH 2043	3
42	66.2195.66	Vite fissaggio pistone	3
43	90.3833.00	OR D. 13.95x2.62 NBR 70SH 3056	1
44	98.2100.50	Tappo G 3/8"x13 TE22 - Zinc.	1
45	66.0802.70 66.0803.70	Anello di fondo D. 16 Anello di fondo D. 18	175 176
46	90.3616.00	OR D. 34.65x1.78 NBR 70SH 2137	3

KIT RICAMBI - SPARE KITS

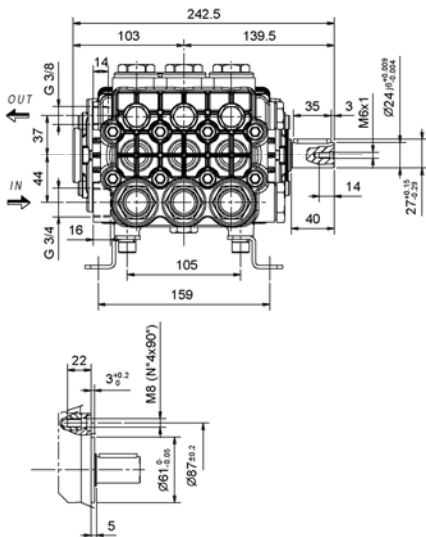
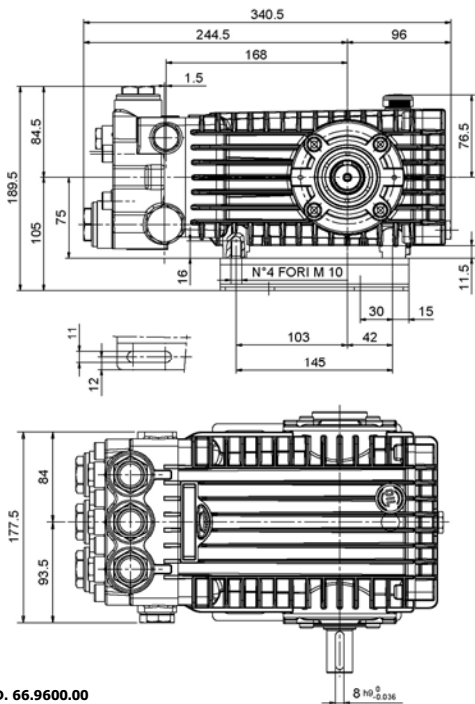
KIT Nr.	KIT 2	KIT 3	KIT 150	KIT 180	KIT 176
Posizioni incluse Positions Included	48	58	7 - 8 9 - 10 11 (12)	29 - 31	29 - 30 31 - 32 33
Nr. Pcs.	3	2	6	3	1

POS	COD.	DESCRIZIONE - DESCRIPTION - KIT	NR
28	66.0403.09	Pistone D. 18x54	3
29	90.2655.00	Anello ten. alt. D. 18.0x28.0x10.0 HP 176-180	3
30	66.2163.73	Anello intermedio D. 18	176
31	90.2652.00	Anello ten. alt. D. 18.0x26.0x6.5 LP 176-180	3
32	90.3616.00	OR D. 34.65x1.78 NBR 70SH 2137	176
33	66.0803.70	Anello di fondo D. 18	176
34	90.3585.00	OR D. 10.82x1.78 NBR 70SH 2043	1
35	96.7101.00	Rosetta D. 10.0x28.0x0.5	3
36	66.0300.01	Biella	3
37	90.3833.00	OR D. 13.95x2.62 NBR 70SH 3056	1
38	98.2100.50	Tappo G 3/8x13 TE22 Zinc.	1
39	98.2042.50	Tappo G 1/4"x9 TE17 Zinc.	1
40	90.4051.00	OR D. 26.58x3.53 NBR 70SH 4106	1
41	63.2100.51	Spia livello olio	1
42	66.1600.22	Coperchio posteriore	1
43	90.3922.00	OR D. 133.02x2.62 NBR 70SH 3525	1
44	98.2106.00	Tappo con asta G 3/8"x64 D. 4	1
45	99.3099.00	Vite serraggio biella	6
46	66.0100.22	Carter pompa	1
47	90.9126.00	Boccola D. 22x25x30	3
48	90.1625.00	Anello rad. D. 22.0x32.0x5.0	2
49	66.0500.66	Guida pistone	1
50	99.3039.00	Vite M8x16 5931	8
51	90.0756.00	Anello d'arresto ZH45	1
52	70.2118.01	Spia livello olio	1
53	90.3877.00	OR D. 39.34x2.62 NBR 70SH 3156	1

POS	COD.	DESCRIZIONE - DESCRIPTION - KIT	NR
1	66.1249.39	Testata pompa D. 18	1
2	90.3576.00	OR D. 6.72x1.78 NBR 70SH 106	3
3	98.1972.00	Tappo G 1/8"x8	3
4	66.2102.70	Distanziale	3
5	90.5118.00	Anello antiest. D. 19.5x22.0x1.5	3
6	90.3596.00	OR D. 18.77x1.78 NBR 70SH 2075	3
7	90.3841.00	OR D. 17.13x2.62 NBR 70SH 3068	6
8	36.2003.66	Sede valvola	150
9	36.2032.66	Valvola sferica	150
10	94.7376.00	Molla Dm. 9.4x14.8	150
11	36.2025.51	Guida valvola	150
12	36.7121.01	Gr. valvola aspirazione e mandata	150
13	90.3857.00	OR D. 23.81x2.62 NBR 70SH 132	6
14	90.5165.00	Anello antiest. D. 24.7x29.0x1.5	3
15	66.2100.70	Tappo D. 29	6
16	66.2203.36	Coperchio valvole	1
17	99.3687.00	Vite M10x30 5931	8
18	90.3843.00	OR D. 17.86x2.62 NBR 70SH 123	3
19	90.5115.00	Anello antiest. D. 18.7x23.0x1.5	3
20	66.2101.66	Bussola	3
21	98.3820.00	Vite M10x120 5931	8
22	96.7514.00	Rosetta D. 21.5x27.0x1.5	1
23	98.2179.00	Tappo G 1/2"x10	1
24	98.2099.00	Tappo G 3/8"x13	1
25	93.1858.00	Rosetta con tenuta G 3/8"	1
26	66.2195.66	Vite fissaggio pistone	3
27	90.3584.00	OR D. 10.82x1.78 NBR 90SH 2043	3

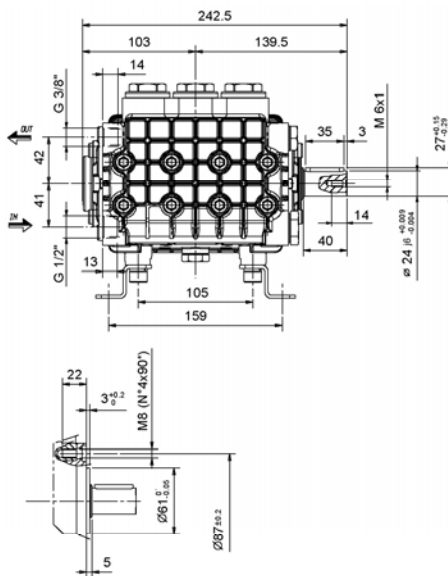
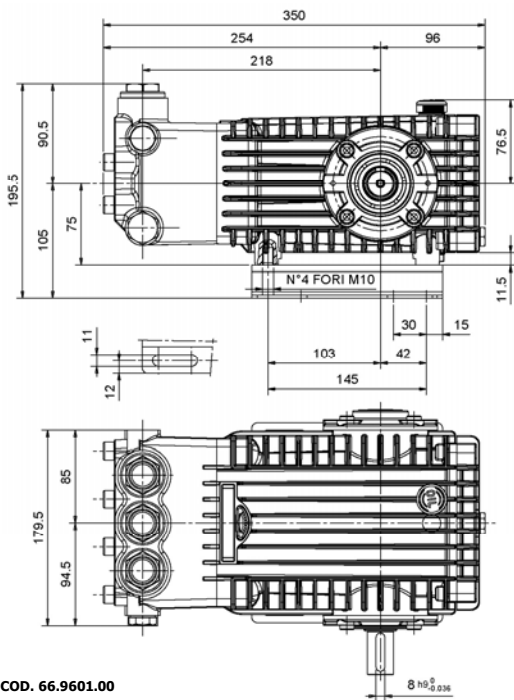
WK5021

**DIMENSIONI D'INGOMBRO – OVERALL DIMENSIONS – DIMENSIONS D'ENCOMBREMENT
RAUMBEDARF – DIMENSIONES TOTALES – DIMENSÕES**



DIS. COD. 66.9600.00

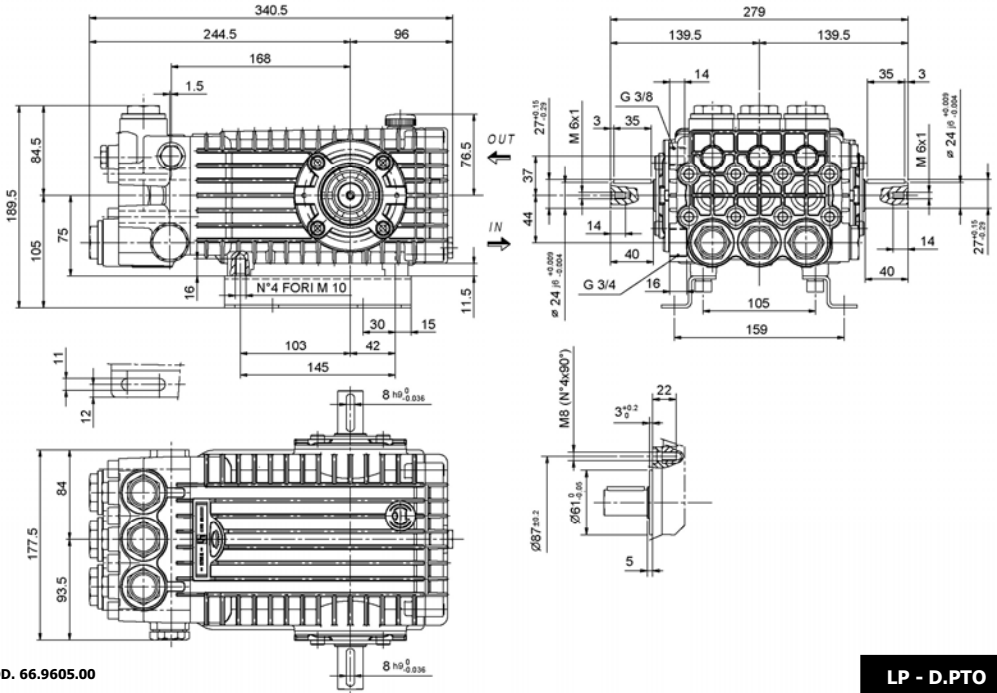
LP – STD.



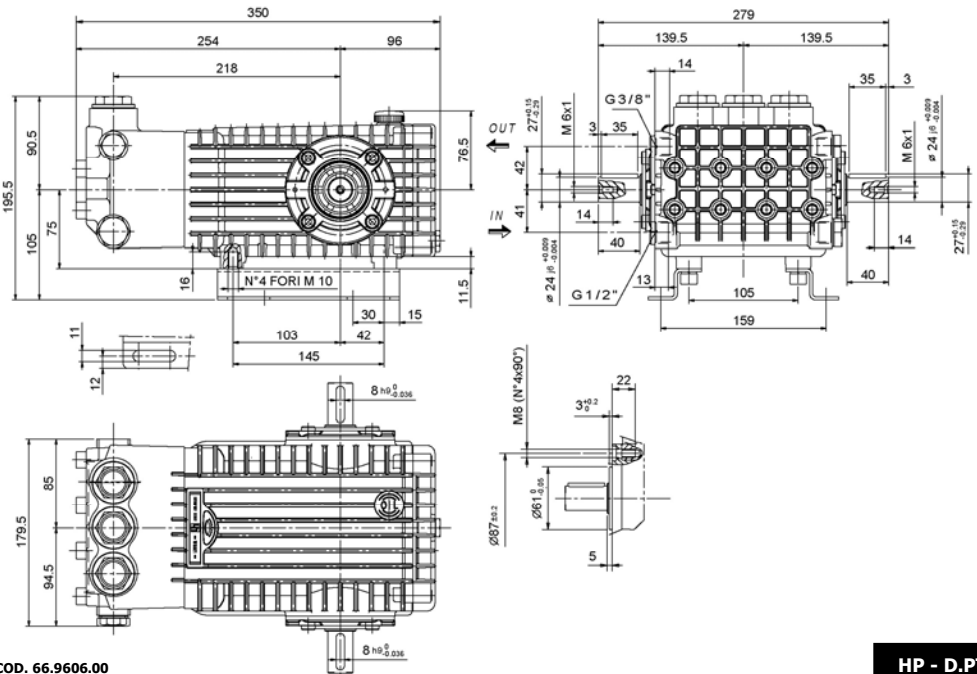
DIS. COD. 66.9601.00

HP – STD.

Coppia max. trasmissibile dal 2° PTO – Max. torque from 2° PTO
Couple max. transmissible du 2° PTO - Drehmoment transmissible max. von 2° PTO
De par max. de transmissible de 2° PTO – Binário máx. de transmissible de 2° PTO
33 Nm (5 kW@1450 rpm – 6 kW@1750 rpm)



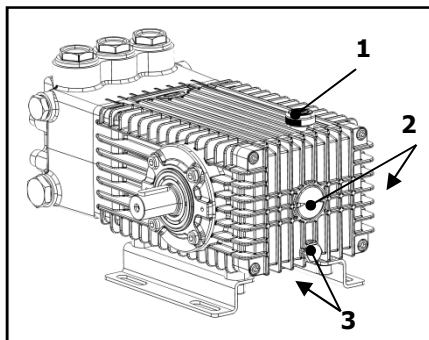
LP - D.PTO



HP - D.PTO

1 - CAMBIO OLIO

- 1.1 – Il cambio dell'olio va eseguito con pompa a temperatura di lavoro.
- 1.2 – Posizionare un recipiente sotto il tappo di scarico olio (3).
- 1.3 – Rimuovere il tappo con asta (1) e successivamente il tappo di scarico (3).
- 1.4 – Attendere fino a quando tutto l'olio è uscito, quindi riavvitare il tappo di scarico (3) con la coppia torcente indicata su disegno esploso.
- 1.5 – Riempire con olio nuovo fino al raggiungimento della mezzeria del tappo spia livello olio (2) e riavvitare il tappo con asta (1) .



Per il tipo di olio da utilizzare fare riferimento a quanto indicato sul libretto generico.



ATTENZIONE: L'olio esausto deve essere raccolto in recipienti e smaltito negli appositi centri in accordo alla normativa vigente. Non deve essere assolutamente disperso nell'ambiente.

1 – OIL CHANGING

- 1.1 – Oil changing must be done with the pump at operating temperature.
- 1.2 – Put a container under the oil drain plug (3).
- 1.3 – Remove the oil dipstick (1) and then the drain plug (3).
- 1.4 – Wait until all the oil has drained out, then screw the drain plug (3) and tighten at the torque shown in the exploded diagram.
- 1.5 – Fill with new oil until the middle of the oil level indicator (2) is reached, screw by hand the oil dipstick (1).

Refer to the generic booklet for the type of oil to use.



WARNING: The exhaust oil must be collected in receptacles and disposed of at authorised centres as specified by law. It must not be thrown away in the environment.

1 - CHANGEMENT DE L'HUILE

- 1.1 – Le changement de l'huile doit être exécuté avec la pompe à température d'exercice.
- 1.2 – Placer un récipient sous le bouchon de vidange de l'huile (3).
- 1.3 – Enlever le bouchon-jauge (1), puis enlever le bouchon de vidange (3).
- 1.4 – Attendre que toute l'huile soit sortie, puis revisser le bouchon de vidange (3) avec le couple de torsion qui est indiqué sur le dessin éclaté.
- 1.5 – Remplir avec de l'huile neuve jusqu'à la ligne médiane du bouchon indicateur du niveau d'huile (2), et revisser le bouchon-jauge (1).

Pour le type d'huile à utiliser, se référer à ce qui est indiqué sur la notice générale.



ATTENTION : L'huile usée doit être recueillie dans des récipients et éliminée dans les centres prévus à cet effet, conformément à la réglementation en vigueur. Il ne faut absolument pas la jeter dans l'environnement.

1 - ÖLWECHSEL

1.1 – Beim Ölwechsel muss die Pumpe Betriebstemperatur aufweisen.

1.2 – Unter den Ölablassverschluss (3) einen Behälter stellen.

1.3 – Den Verschluss mit dem Stab (1) und danach den Ablassverschluss (3) abnehmen.

1.4 – Warten, bis das gesamte Öl abgelassen ist und den Ablassverschluss (3) mit dem auf der Übersichtszeichnung angegebenen Drehmoment wieder anschrauben.

1.5 – Mit frischem Öl füllen, bis die Mittellinie des Ölstandkontrollverschlusses (2) erreicht ist und den Verschluss mit dem Stab (1) wieder anschrauben.

Bezüglich der verwendbaren Ölsorten siehe die Angaben im allgemeinen Handbuch.



ACHTUNG: Das Altöl muss in Behältern gesammelt und gemäß den geltenden Vorschriften bei den hierfür vorgesehenen Zentren entsorgt werden. Es darf keinesfalls umweltschädigend entsorgt werden.

1 - CAMBIO DE ACEITE

1.1 – El cambio de aceite se efectúa con bomba a temperatura de trabajo.

1.2 – Colocar un recipiente debajo del tapón de descarga de aceite (3).

1.3 – Extraer el tapón con varilla (1) y seguidamente el tapón de descarga (3).

1.4 – Esperar hasta que haya salido todo el aceite, volver a enroscar el tapón de descarga (3) con el par de torsión indicado en el despiece.

1.5 – Llenar con aceite nuevo hasta alcanzar la línea media del tapón indicador de nivel de aceite (2) y volver a enroscar el tapón con varilla (1).

Para el tipo de aceite que debe utilizarse, remitirse a las indicaciones del manual general.



ATENCIÓN: El aceite residual debe recogerse en recipientes y eliminarse en los centros pertinentes de acuerdo con la normativa vigente. En ningún caso debe dispersarse en el ambiente.

1 - TROCA DE ÓLEO

1.1 – A troca de óleo deve ser feita com a bomba na temperatura de trabalho.

1.2 – Posicionar um recipiente embaixo da tampa de descarga de óleo (3).

1.3 – Remover a tampa com o pino (1) e, em seguida, a tampa de descarga (3).

1.4 – Esperar que todo o óleo saia, recolocar a tampa de descarga (3) com o binário de torção indicado no desenho explodido.

1.5 – Encher com o óleo novo até chegar na linha da tampa de controle do nível do óleo (2) e recolocar a tampa com o pino (1).

Para o tipo de óleo a ser utilizado, consultar as indicações do livro genérico.



ATENÇÃO: O óleo consumido deve ser coletado em recipientes e eliminado nos locais adequados, de acordo com a normativa vigente. Não deve, de modo algum, ser jogado no ambiente.

DICHIARAZIONE DI INCORPORAZIONE

(Ai sensi dell'allegato II della Direttiva Europea 2006/42/CE)

Il produttore **INTERPUMP GROUP S.p.A. – Via E. Fermi, 25 – 42049 S.ILARIO D'ENZA (RE) - Italia**
DICHIARA sotto la propria esclusiva responsabilità che l'attrezzatura identificata e descritta come segue :

Denominazione : POMPA
Tipo : Pompa alternativa a pistoni per acqua ad alta pressione
Marchio di fabbrica : INTERPUMP GROUP
Modelli : W4015 – W5015 – W3018 - W4018 – W4518 – W5018 - W3021 - W3521 – WK5021
W3523 – W2525 – W3025 – W2030 – W2035 – W2141 – W1550 – W1555 – W4021
T5015 – T4018 – T5018 – T3021 – T3025 – T2530 – T2830 – T2535 – T2040 – T1750

Risulta essere conforme alle sotto elencate direttive e successivi aggiornamenti :

- Direttiva Macchine 2006/42/CE
- Direttiva sulla restrizione dell'uso di determinate sostanze pericolose nelle apparecchiature elettriche ed elettroniche 2011/65/UE - RoHS

L'attrezzatura non contiene sostanze con restrizioni d'uso in concentrazione maggiore di quelle elencate nell'allegato II ad eccezione delle applicazioni esentate dalle restrizioni elencate nell'allegato III.

Norme applicate : UNI EN ISO 12100:2010 - UNI EN 809:2000

La pompa sopra identificata rispetta i seguenti requisiti essenziali di sicurezza e di tutela della salute elencati nel punto 1 dell'allegato I della Direttiva Macchine :

1.1.2 - 1.1.3 - 1.1.5 - 1.3.1 - 1.3.2 - 1.3.3 - 1.3.4 - 1.5.4 - 1.5.5 - 1.6.1 - 1.7.1 - 1.7.2 - 1.7.4 - 1.7.4.1 - 1.7.4.2
e la relativa documentazione tecnica è stata compilata in conformità dell'allegato VII B.

Inoltre il produttore si impegna a rendere disponibile, a seguito di una richiesta adeguatamente motivata, copia della documentazione tecnica pertinente la pompa nei modi e nei termini da definire.

La pompa non deve essere messa in servizio finché l'impianto al quale la pompa deve essere incorporata è stato dichiarato conforme alle disposizioni delle relative direttive e/o norme.

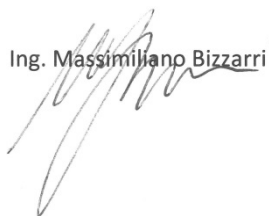
Persona autorizzata a costituire il fascicolo tecnico : Nome: Maurizio Novelli

Indirizzo: INTERPUMP GROUP S.p.A. – Via E. Fermi, 25 – 42049 S. ILARIO D'ENZA (RE) – Italia

Il responsabile

Firma : Ing. Massimiliano Bizzarri

Reggio Emilia, Novembre/2017



DECLARATION OF INCORPORATION

(In accordance with Annex II of European Directive 2006/42/CE)

The manufacturer **INTERPUMP GROUP S.p.A. – Via E. Fermi, 25 – 42049 S.ILARIO D'ENZA (RE) - Italy** **DECLARES** under sole responsibility that the equipment identified and described as follows :

Name : PUMP
Type : Reciprocating plunger pump for high pressure water
Trademark : INTERPUMP GROUP
Models : W4015 – W5015 – W3018 - W4018 – W4518 – W5018 - W3021 - W3521 – WK5021
W3523 – W2525 – W3025 – W2030 – W2035 – W2141 – W1550 – W1555 – W4021
T5015 – T4018 – T5018 – T3021 – T3025 – T2530 – T2830 – T2535 – T2040 – T1750

Complies with the requirements of the directives listed below and subsequent updates :

- Machinery Directive 2006/42/CE
- Directive 2011/65/EU – RoHS on the restriction of the use of certain hazardous substances in electrical and electronic equipment.

The equipment does not contain more than the specified concentrations of restricted substances listed in Annex II except for the applications exempted from the restriction listed in Annex III.

Standards applied : UNI EN ISO 12100:2010 - UNI EN 809:2000

The pump identified above meets all the essential safety and health protection requirements as listed in section 1 of Annex I of the Machinery Directive :

1.1.2 - 1.1.3 - 1.1.5 - 1.3.1 - 1.3.2 - 1.3.3 - 1.3.4 - 1.5.4 - 1.5.5 - 1.6.1 - 1.7.1 - 1.7.2 - 1.7.4 - 1.7.4.1 - 1.7.4.2
and the relevant technical documentation has been compiled in accordance with Annex VII B.

In addition, the manufacturer undertakes to make available, following a reasoned request, a copy of the relevant technical pump documentation in the manner and terms to be defined.

The pump should not be put into service until the plant to which the pump is to be incorporated has been declared in accordance with the provisions of the relevant directives and/or standards.

Person authorised to compile the technical file : Name: Maurizio Novelli

Address: INTERPUMP GROUP S.p.A. – Via E. Fermi, 25 – 42049 S. ILARIO D'ENZA (RE) – Italy

Manager

Signature : Ing. Massimiliano Bizzarri

Reggio Emilia, November/2017



DÉCLARATION D'INCORPORATION

(Conformément à l'annexe II de la Directive Européenne 2006/42/CE)

Le fabricant **INTERPUMP GROUP S.p.A. – Via E. Fermi, 25 – 42049 S.ILARIO D'ENZA (RE) - Italie**
DÉCLARE sous sa seule responsabilité que l'équipement identifié et décrit comme suit :

Description : POMPE
Type : Pompe alternative à pistons pour eau à haute pression
Marque de fabrique : INTERPUMP GROUP
Modèle : W4015 – W5015 – W3018 - W4018 – W4518 – W5018 - W3021 - W3521 – WK5021
W3523 – W2525 – W3025 – W2030 – W2035 – W2141 – W1550 – W1555 – W4021
T5015 – T4018 – T5018 – T3021 – T3025 – T2530 – T2830 – T2535 – T2040 – T1750

Est conforme aux spécifications des directives énumérées ci-dessous et mises à jour suivantes:

- Directive Machines 2006/42/CE
- Directive relative à la limitation de l'utilisation de certaines substances dangereuses dans les équipements électriques et électroniques 2011/65/UE – RoHS

L'équipement ne contient pas de substances assorties de restrictions concernant l'utilisation en concentration plus élevée que celles énumérées à l'annexe II, sauf pour des applications exemptées des restrictions énumérées à l'annexe III.

Normes appliquées : UNI EN ISO 12100:2010 - UNI EN 809:2000

La pompe identifiée ci-dessus répond aux exigences essentielles de sécurité et protection de la santé suivantes énumérées au point 1 de l'annexe I de la Directive Machines :

1.1.2 - 1.1.3 - 1.1.5 - 1.3.1 - 1.3.2 - 1.3.3 - 1.3.4 - 1.5.4 - 1.5.5 - 1.6.1 - 1.7.1 - 1.7.2 - 1.7.4 - 1.7.4.1 - 1.7.4.2
et la documentation technique pertinente est constituée conformément à l'annexe VII B.

De plus, le fabricant s'engage à rendre disponible, suite à une demande adéquatement motivée, une copie de la documentation technique relative à la pompe dans les modes et les termes à définir.

La pompe ne doit pas être mise en marche tant que l'installation à laquelle la pompe doit être incorporée n'a pas été déclarée conforme aux dispositions des directives et / ou normes relatives.

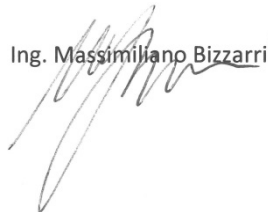
Personne autorisée à réaliser le manuel technique : Nom : Maurizio Novelli

Adresse: INTERPUMP GROUP S.p.A. – Via E. Fermi, 25 – 42049 S. ILARIO D'ENZA (RE) – Italie

Le responsable

Signature : Ing. Massimiliano Bizzarri

Reggio Emilia, Novembre/2017



EINBAUERKLÄRUNG

(gemäß Anhang II der Europäischen Richtlinie 2006/42/EG)

Der Hersteller **INTERPUMP GROUP S.p.A. – Via E. Fermi, 25 – 42049 S.ILARIO D'ENZA (RE) - Italien** **ERKLÄRT** auf alleinige Verantwortung, dass das wie folgt bezeichnete und beschriebene Gerät :

Bezeichnung : PUMPE
Typ : Kolbenpumpe für Hochdruck-Wasser
Herstellermarke : INTERPUMP GROUP
Modell : W4015 – W5015 – W3018 – W4018 – W4518 – W5018 – W3021 - W3521 – WK5021
W3523 – W2525 – W3025 – W2030 – W2035 – W2141 – W1550 – W1555 – W4021
T5015 – T4018 – T5018 – T3021 – T3025 – T2530 – T2830 – T2535 – T2040 – T1750

mit den nachstehend aufgelisteten Richtlinien und ihren nachfolgenden Aktualisierungen konform ist :

- Maschinenrichtlinie 2006/42/EG
- Richtlinie zur Beschränkung der Verwendung bestimmter gefährlicher Stoffe in Elektro- und Elektronikgeräten 2011/65/EU – RoHS

Das Gerät enthält keine Stoffe, für die Beschränkungen bezüglich ihrer Verwendung in Konzentrationen bestehen, die über denen im Anhang II liegen, mit Ausnahme von Anwendungen, die von den im Anhang II aufgeführten Beschränkungen ausgenommen sind.

Angewandte Normen : UNI EN ISO 12100:2010 - UNI EN 809:2000

Die oben genannte Pumpe genügt den folgenden grundlegenden Sicherheits- und Gesundheitsschutzanforderungen, die unter Punkt 1 des Anhangs I der Maschinenrichtlinie aufgeführt sind.
1.1.2 - 1.1.3 - 1.1.5 - 1.3.1 - 1.3.2 - 1.3.3 - 1.3.4 - 1.5.4 - 1.5.5 - 1.6.1 - 1.7.1 - 1.7.2 - 1.7.4 - 1.7.4.1 - 1.7.4.2
Die speziellen technischen Unterlagen wurden gemäß Anhang VII Teil B erstellt.

Darüber hinaus verpflichtet sich der Hersteller einzelstaatlichen Stellen auf begründetes Verlangen die speziellen technischen Unterlagen zur Pumpe in festzulegenden Modalitäten und Fristen zu übermitteln.

Die Pumpe darf erst dann in Betrieb genommen werden, wenn gegebenenfalls festgestellt wurde, dass die Maschine, in die die Pumpe eingebaut werden soll, den Bestimmungen der entsprechenden Richtlinien und/oder Normen entspricht .

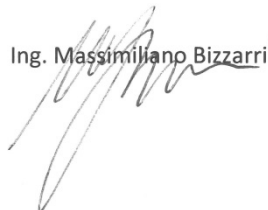
Person, die bevollmächtigt ist, die relevanten technischen Unterlagen zusammenzustellen: Maurizio Novelli

Adresse: INTERPUMP GROUP S.p.A. – Via E. Fermi, 25 – 42049 S. ILARIO D'ENZA (RE) – Italien

Der Geschäftsführer

Unterschrift : Ing. Massimiliano Bizzarri

Reggio Emilia, November/2017



DECLARACIÓN DE INCORPORACIÓN

(De acuerdo con el anexo II de la Directiva Europea 2006/42/CE)

El fabricante **INTERPUMP GROUP S.p.A. – Via E. Fermi, 25 – 42049 S.ILARIO D'ENZA (RE) – Italia** **DECLARA** bajo su propia y exclusiva responsabilidad al aparato identificado y descrito del siguiente modo :

Denominación : BOMBA
Tipo : Bomba alternativa con pistones para agua de alta presión
Marca de fábrica : INTERPUMP GROUP
Modelo : W4015 – W5015 – W3018 - W4018 – W4518 – W5018 - W3021 - W3521 – WK5021
W3523 – W2525 – W3025 – W2030 – W2035 – W2141 – W1550 – W1555 – W4021
T5015 – T4018 – T5018 – T3021 – T3025 – T2530 – T2830 – T2535 – T2040 – T1750

Resulta ser conforme con las directivas que se indican a continuación y con sus sucesivas actualizaciones:
- Directiva de Máquinas 2006/42/CE
- Directiva acerca de la restricción del uso de determinadas sustancias peligrosas en máquinas eléctricas y electrónicas 2011/65/UE – RoHS

El aparato no contiene sustancias con restricción de uso en concentración mayor de aquellas citadas en el anexo II, exceptuando las aplicaciones exentas de las restricciones citadas en el anexo III.

Normas aplicadas : UNI EN ISO 12100:2010 - UNI EN 809:2000

La bomba identificada anteriormente respeta los siguientes requisitos esenciales de seguridad y de protección de la salud citados en el punto 1 del anexo I de la Directiva de Máquina :

1.1.2 - 1.1.3 - 1.1.5 - 1.3.1 - 1.3.2 - 1.3.3 - 1.3.4 - 1.5.4 - 1.5.5 - 1.6.1 - 1.7.1 - 1.7.2 - 1.7.4 - 1.7.4.1 - 1.7.4.2
y la correspondiente documentación técnica ha sido compilada de acuerdo con el anexo VII B.

Además el fabricante se compromete en hacer disponible, después haberse llevado a cabo una solicitud adecuadamente motivada, una copia de la documentación técnica pertinente de la bomba en una modalidad y en un plazo aún por definir.

La bomba no debe ser puesta en funcionamiento, hasta que el sistema al cuál la bomba debe ser incorporada, haya sido declarado conforme a las disposiciones de las respectivas directivas y/o normativas.

Persona autorizada a realizar el fascículo técnico : Nombre: Maurizio Novelli

Dirección: INTERPUMP GROUP S.p.A. – Via E. Fermi, 25 – 42049 S. ILARIO D'ENZA (RE) – Italia

El responsable

Firma : Ing. Massimiliano Bizzarri

Reggio Emilia, Noviembre/2017



DECLARAÇÃO DE INCORPORAÇÃO

(Nos termos do anexo II da Directiva Europeia 2006/42/CE)

O fabricante **INTERPUMP GROUP S.p.A. – Via E. Fermi, 25 – 42049 S.ILARIO D'ENZA (RE) - Itália** **DECLARA** sob a sua exclusiva responsabilidade que os equipamentos identificados e descritos tal como se segue :

Denominação : BOMBA
Tipo : Bomba alternativa com pistões para água a alta pressão
Marca de fábrica : INTERPUMP GROUP
Modelo : W4015 – W5015 – W3018 – W4018 – W4518 – W5018 – W3021 – W3521 – WK5021
W3523 – W2525 – W3025 – W2030 – W2035 – W2141 – W1550 – W1555 – W4021
T5015 – T4018 – T5018 – T3021 – T3025 – T2530 – T2830 – T2535 – T2040 – T1750

Está em conformidade às directivas abaixo indicadas e posteriores actualizações :

- Directiva Máquinas 2006/42/CE
- Directiva sobre a restrição de uso de determinadas substâncias perigosas em aparelhos eléctricos e electrónicos 2011/65/UE – RoHS

O equipamento não contém substâncias com restrições de uso em concentração superior às indicadas no anexo II, á excepção das aplicações isentas das restrições indicadas no anexo III.

Normas aplicadas : UNI EN ISO 12100:2010 - UNI EN 809:2000

A bomba acima identificada respeita os seguintes requisitos essenciais de segurança e de tutela da saúde, referidos no ponto 1 do anexo I da Directiva Máquinas :

1.1.2 - 1.1.3 - 1.1.5 - 1.3.1 - 1.3.2 - 1.3.3 - 1.3.4 - 1.5.4 - 1.5.5 - 1.6.1 - 1.7.1 - 1.7.2 - 1.7.4 - 1.7.4.1 - 1.7.4.2 e a respectiva documentação técnica foi compilada em conformidade com o anexo VII B.

Além disso, o fabricante compromete-se a disponibilizar, mediante pedido adequadamente motivado, uma cópia da documentação técnica referente à bomba, em modos e termos a definir.

A bomba não deve ser colocada em funcionamento até que o sistema no qual tem de ser incorporada seja declarado em conformidade com as disposições das respectivas directivas e/ou normas.

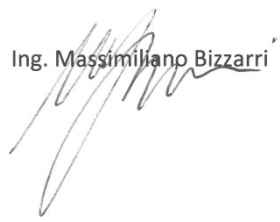
Pessoa autorizada a compilar a documentação técnica : Nome: Maurizio Novelli

Morada: INTERPUMP GROUP S.p.A. – Via E. Fermi, 25 – 42049 S. ILARIO D'ENZA (RE) – Itália

O responsável

Assinatura : Ing. Massimiliano Bizzarri

Reggio Emilia, Novembro/2017



COPYRIGHT Il contenuto di questo libretto è di proprietà di INTERPUMP GROUP, ne è vietata la riproduzione e/o la divulgazione, anche parziale, a termini di legge.

COPYRIGHT The contents of this booklet are the property of INTERPUMP GROUP. Reproduction and divulgation, in whole or in part, are prohibited by law.

COPYRIGHT Le contenu de cette notice appartient à INTERPUMP GROUP : aux termes de la loi il est interdit de le reproduire et/ou de le divulguer, même partiellement.

COPYRIGHT Der Inhalt dieser Bedienungsanleitung ist Eigentum von INTERPUMP GROUP. Die auch nur teilweise Reproduktion und/oder Verbreitung ist gesetzlich verboten.

COPYRIGHT El contenido del presente manual es propiedad de INTERPUMP GROUP y está legalmente prohibida su reproducción y/o divulgación parcial o total.

COPYRIGHT O conteúdo deste livro é de propriedade da INTERPUMP GROUP, e é proibida a sua reprodução e/ou a sua divulgação, mesmo parcial, nos termos da lei.

Le informazioni presenti su questo documento possono essere variate senza preavviso.

The information contained in this document may change without notice.

Les informations présentes sur ce document peuvent être changées sans besoin de préavis.

Die in diesem Dokument enthaltenen Informationen können ohne Vorankündigung geändert werden.

La información contenida en el presente documento puede modificarse sin previo aviso.

As informações contidas neste documento poderão ser sujeitas a alterações sem aviso prévio.



**INTERPUMP
GROUP**

**AZIENDA CON SISTEMA
DI GESTIONE QUALITÀ
CERTIFICATO DA DNV
= ISO 9001 =**

VIA FERMI, 25 42049 S.ILARIO – REGGIO EMILIA (ITALY)
TEL.+39 – 0522 - 904311 TELEFAX +39 – 0522 – 904444
E-mail: info@interpumpgroup.it - <http://www.interpumpgroup.it>